

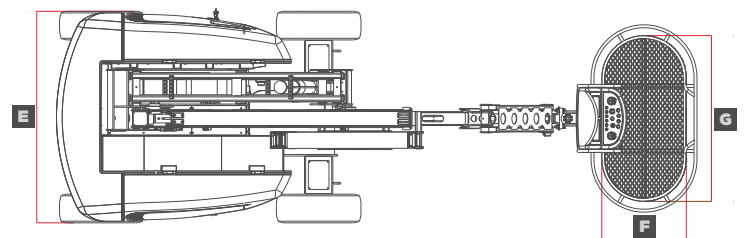
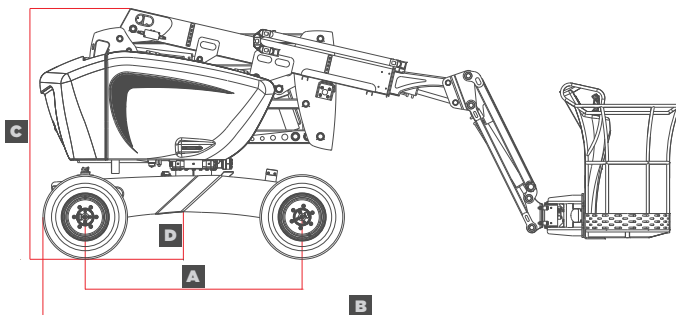
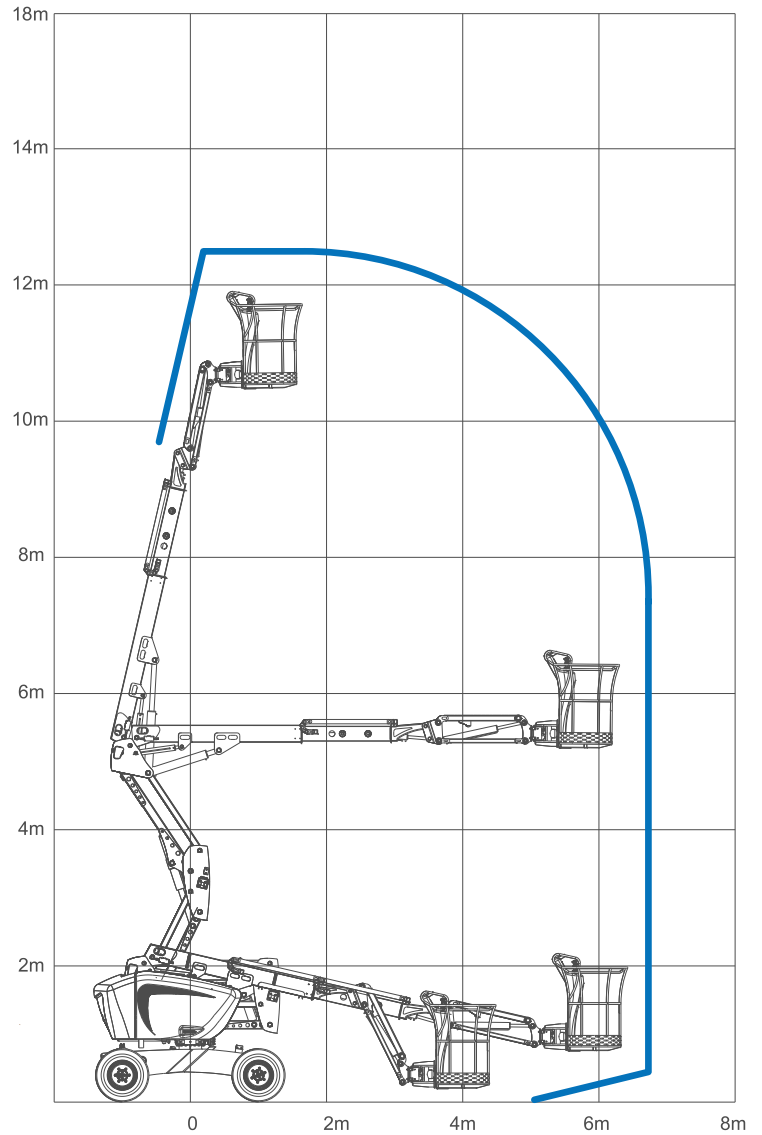


SELF-PROPELLED ARTICULATED PLATFORM



TECHNICAL DATA

Traction Engines	DANA Spicer E-drive Torque - Hub eS-AW	
Battery	48 V 210 Ah Lithium	
Charger	95-265 V 50 Amp	
Oil Tank Capacity	50 lt	
Weight	4600 kg	
Drive x Steer	4WD	
Max Working Height	12,4 m	
Platform Height	10,4 m	
Length - stowed	5,8 m	B
Height - stowed	2,3 m	C
Max Horizontal Reach	6,7 m	
Platform Weight Capacity	230 kg	
Platform Length	0,75 m	F
Platform Width	1,5 m	G
Width	2 m	E
Wheelbase	2 m	A
Ground Clearance	43 cm	D
Drive speed - stowed	5 km/h	
Raised retracted	0,75 km/h	
Gradeability - stowed	30 %	
Tyres	8.15-15 Foam-filled	
Jib movement	140°	
Platform rotation	175°	
Turret rotation	350°	





STANDART EQUIPMENT

- Fully proportional and simultaneously controllable boom functions
- Possibility of indoor / outdoor usage
- Fully proportional fast/slow electric drive
- Steering from the front 2-wheel
- Front oscillating axle and locking system
- Moment control system
- Multiple simultaneous movements for maximum productivity
- Rotary warning light
- Mobilisation alert
- Incline alert
- 30% climbing capability
- Velocity variation according to the height
- 230 kg (2 People) load capacity
- Battery level display (upper and lower control screens)
- Lithium Battery / Gel Battery options
- Polyester body covers
- Ergonomic polyester platform control unit
- 7" platform control system with colour screen
- Ease of operation with ergonomic 2 joysticks on the platform
- 5" ground control system with colour screen
- CAN-BUS communication system

